



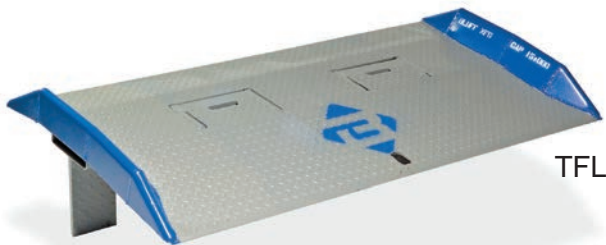
Steel Dock Boards Models T, TFL, TNB

Fully welded steel dock boards provide a safe ramp for powered vehicle application



STEEL DOCK BOARD MODEL T

- All-welded steel construction
- Double-bend design
- Capacities from 15,000 to 40,000 pounds
- Two four-hole pin pockets placed on each edge for flexible positioning
- Fold-down lifting loops and double-bend design
- Use with conventional, refrigerated, or container trailers, or for below dock conditions
- Widths from 60" to 96"
- Can be used for below dock applications



STEEL DOCK BOARD MODEL TFL

- 2 bend board with locking legs in lieu of steel pins
- Not recommended for below dock loading

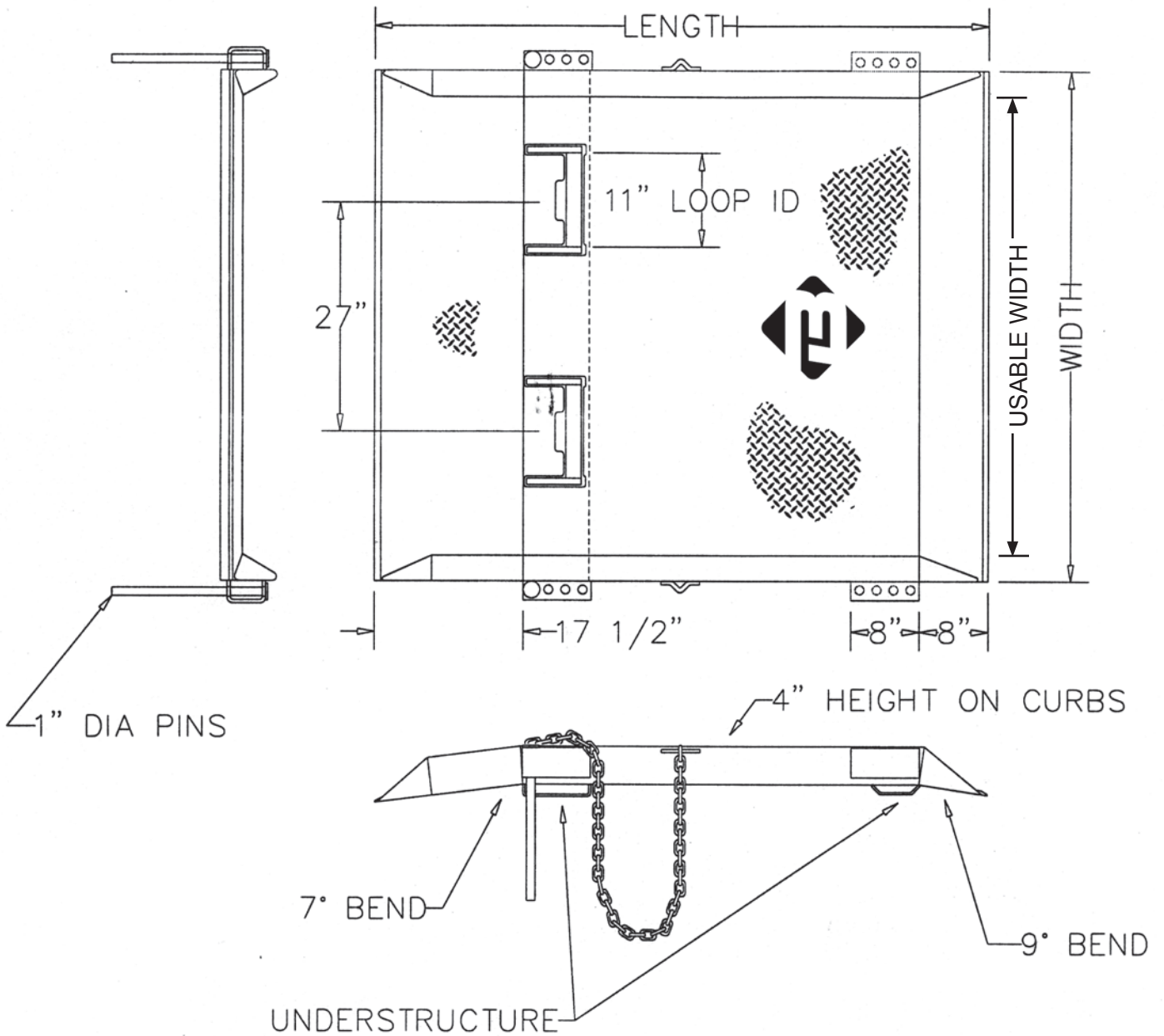


STEEL DOCK BOARD MODEL TNB

- Single-bend design utilizes the lifting chain and full width locking legs
- Not recommended for below dock loading

Manufactured and tested in compliance with ANSI Standard MH30.2

**STEEL DOCK BOARDS
MODEL T**



15T6072

LENGTH
WIDTH
MODEL
15,000 CAPACITY

BOARD LENGTH

48"-60"
66"-72"
78"-84"
90"-96"

PIN LENGTH

20"
24"
30"
36"